



elfin kitchens

compact · quality · affordable



Compact Kitchen Manual

Contents

- ⇒ Safety
- ⇒ Notes for the environment
- ⇒ Unpacking
- ⇒ Lifting the compact mini kitchen
- ⇒ Assembly, Installation and connection
- ⇒ Mains connection
- ⇒ Water and Waste
- ⇒ Timer
- ⇒ Cooking Plates
- ⇒ Cleaning and Maintenance
- ⇒ Ceramic Cooking Plates
- ⇒ Trouble Shooting
- ⇒ Service
- ⇒ Annex 1
- ⇒ Warranty

Elfin Kitchens reserves the right to upgrade or source alternative appliances that are of the same or higher quality in the event of models being discontinued.

We hope you enjoy your new compact kitchen. Read these instructions carefully to make sure that the kitchen is properly installed and used in the right way. Please keep these documents in such a way that you or any subsequent owner can always refer to.

Security

- Do not operate damaged equipment, if in doubt ask the supplier.
- Any changes in the product must be performed by a specialist.
- For repairs, please disconnect from the mains power supply
- This product should only be operated by adults.
- Attention, the unit has hot surfaces during operation.
- Always cook with handle to the wall for safety. The rings are very hot and can cause burns.
- Do not store explosive liquids in the cabinet.
- Do not place coffee machines or other electric devices onto the cooking plates. This also applies to other combustible materials.
- Be careful when cooking dishes with oils and fats (eg chips), as they can ignite.
- No flammable or combustible objects (eg spray cans) are to be stored in the unit.
- Do not heat food in aluminium foil or plastic containers, always use the purpose made saucepans and pots.
- The hob should not be cleaned with a steam cleaner.
- This product is not intended to be used by persons (including children) with reduced physical, sensory or mental capabilities or lack of experience and / or knowledge, unless they are supervised by a person responsible person.
- Do not let children play with the mini kitchen.
- The mini kitchen is only for normal indoor use. They must not be used as a source of heating.
- Do not block ventilation grills.

When installing an extractor hood, a minimum distance of 650 mm between the hob and the lower edge of hood are to be observed.

Notes for the environment

Our high quality products are protected for their journey to you with effective protective packaging. All packaging materials used are environmentally friendly and can be safely disposed.

Wooden parts are not chemically treated.

The cardboard boxes are made predominantly from recycled paper and can be crushed again and recycled.

Unpacking

Please check the unit for damage, if damage is found please report immediately to Elfin Kitchens within 3 days

of receiving your kitchen, reports of damage outside of this time cannot be resolved.

Lifting the Compact Mini Kitchen

Care should always be taken when lifting the kitchen, please wear appropriate gloves and ensure there are sufficient people to lift the kitchen from the packaging into its final position. Lift from the bottom of the unit and be careful of any sharp edges, do not lift using the door or fridge handles as this will damage your kitchen.



This appliance is marked according to the European Directive 2002/96/EC on waste electrical and electronic equipment - in (waste Electrical and Electronic Equipment WEEE). The Directive provides the framework for an EU-wide collection and recycling of old appliances.

Assembly, installation and connection of your compact mini kitchen

Your compact kitchen is designed to work in room temperatures between 12 and 32°C. Tiles may be placed around the top of the kitchen but please note that most repairs can be carried out with the kitchen in situ but occasionally you may need to remove your kitchen for maintenance and too much cement and grout will prevent ease of removal.

The kitchen must be placed on a firm level surface, there is limited adjustment on the front feet of your kitchen and also bear in mind the fridge may need to be removed so the floor in front of the kitchen must be at the same level.

The vents at the rear of the pantry top must be kept clear in order to allow the heat from the built in appliances to exhaust.

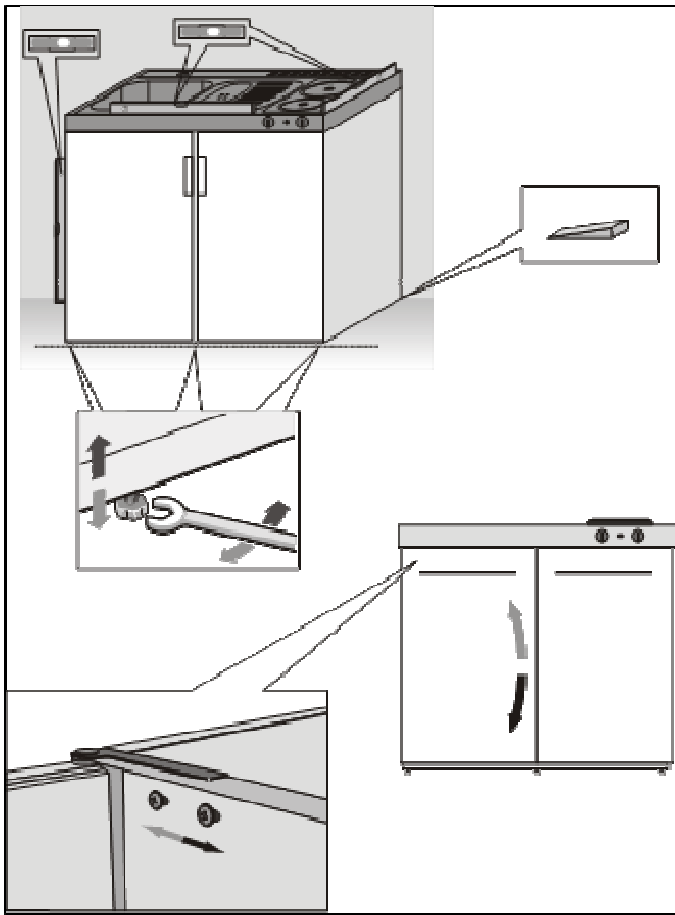
Appliances

Your Elfin kitchen will have either a Liebherr or Techwood fridge fitted dependant on the model purchased and we ask you to read the operation instructions found in the fridge.

Attention In particular the Liebherr fridge is fitted with a 'CoolPlus' button located by the thermostat control knob inside the fridge. This is designed for use in cold environments and prolonged use (over 24hours) could result in your fridge failing as the compressor will be overworked and this type of failure is not covered under warranty.

If your kitchen is fitted with a combination oven, microwave, convection oven or dishwasher please do read the operating instructions and keep in a safe place for future reference.

Regular cleaning will prolong the life of any appliance and prevent any unwanted smells!



Mains Connection

Depending on the kitchen purchased your kitchen will have 1,2, 3 or 4 x 13amp plugs fitted to the individual appliances (with the exception of the Fov kitchen) . Please consult a qualified electrician regarding the installation of the sockets to feed the kitchen and refer to the first fix guide regarding the electrical loadings and positions. All installations and repairs must be carried out by a qualified trades person.

Water Supply and Drainage

Your kitchen is supplied with a waste kit and tap (except the contract range) please ensure these are fitted and secured correctly by a competent trades person to ensure a watertight installation.

Hotplates

Before the first use of rings of the protective coating on the plate surface must be corroborated. For this purpose, first the rear hob must be switched on at the highest level without a pot at least 4 minutes (the front plate must remain off). After this time, wait at least 5 minutes. Then the front hotplate switch on to the highest level without a pot at least 4 minutes (the rear plate remains off). Thereafter, the operation of burners is generally prohibited without pot.

Use only vessels with a flat bottom and a plate for each appropriate diameter.

Timer - if fitted

As an additional safety device for safe cut-off of rings the mini kitchen has a mechanical timer with a max. running time of 30 minutes. After the set time 0 to 30 minutes,

the power is interrupted to the burners. If longer cooking is require the timer must be re-set again to the maximum adjustable 30 minutes.



The hotplates are controlled according to a switch with seven switch positions (6 circuit stages and a 0-position). On the knobs you will find the numbers 0-1-2-3.

0	=	Off
1	=	Low
2	=	Medium
3	=	High

The dots indicate three additional intermediate/half stages. These intermediates can be selected if the higher level is too high or the lower level of heat output is too small.

At 0-position the hob is switched off. The indicator light is lit while at least one of the two rings is in operation. The cooking plates can still be hot (residual heat) despite extinguished pilot light.

O) = for rear hob

o) = switch for the front hob



For parboiling set the timer to the desired cooking time and then turn the switch at level 3 Then switch according to need one or several levels lower. In almost all cooking and frying operations the hotplates can be turned off 5-10 minutes prior due to the residual heat of the hotplate. So switch to "0" and select the cooking time with the timer correspondingly shorter. If the cooking time exceeds the maximum adjustable 30 minutes, the timer this must be reset.

Cleaning and Maintenance

In everyday use, only dry pots should be used. Wet or condensed on objects such as, for example, lids are not on the pans this will create more cleaning of the surface.

When the stove has boiled over and when the hotplates have cooled hot plates should be washed. Do not scrape off food particles with abrasive utensils or cleaning cloths.

A damp cloth is sufficient for normal cleaning. Heavily soiled hotplates should be cleaned with cleaning agents from the supermarket.

After the cleaning buff with a dry. After cleaning a small amount of oil on a dry cloth can be applied from time to time for a shiny surface.

Glass ceramic cooking field description

1	Timer switch	
2	Switch for Lightning hob 145 mm	
3	Switch for hob 180 mm	
4	Warning lamp	
5	Drilled holes for water manifold	
6	Ventilation slots	
7	Hob 180 mm	
8	Flash hob 145 mm	
9	Residual basin (not for pantry 900 mm)	
10	Sink	
Name		STP
Total power		2200W solid hotplate
Nominal voltage		230V AC
Connection		Cable HO5W-F 3 G 1.5
Regulation		Energy regulator, adjustable
Hot Plates		ø 140 mm with 1000 w, ø 180 mm with 1200W power
Operating control lamp		Display whether device is switched on
Certified according to VDE and CE		GS certificate No. 57 41 077
Old equipment recycling		Devices are ear registered WEEE-Reg.-Nr. EF1120WQ
		This equipment complies with the European low voltage directives 2006/95/EC to the electrical safety, the European directives 89/336/EEC on electromagnetic compatibility and to the CE marking directives 93/68/EEC.

:

Operational Issues

The hot plates are not hot.

- Is the timer turned on?
- Is the rotary switch turned on.
- Is the mini kitchen connected correctly? (2 Plugs, one for the hot plates and one for the fridge).
- Check fuses in the fuse box.
- Check the voltage to the power outlet.

If no remedy is above measures, please contact a service technician.

Information about accessories. The accompanying each manufacturer operating instructions, please.

Service

Services and spare parts can be obtained from Elfin Kitchens

Always give the model no. on contact with the service workshop.

Please retain your receipt for this purpose

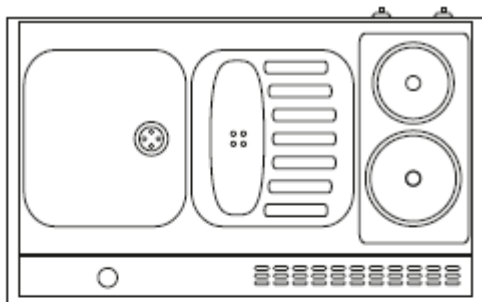
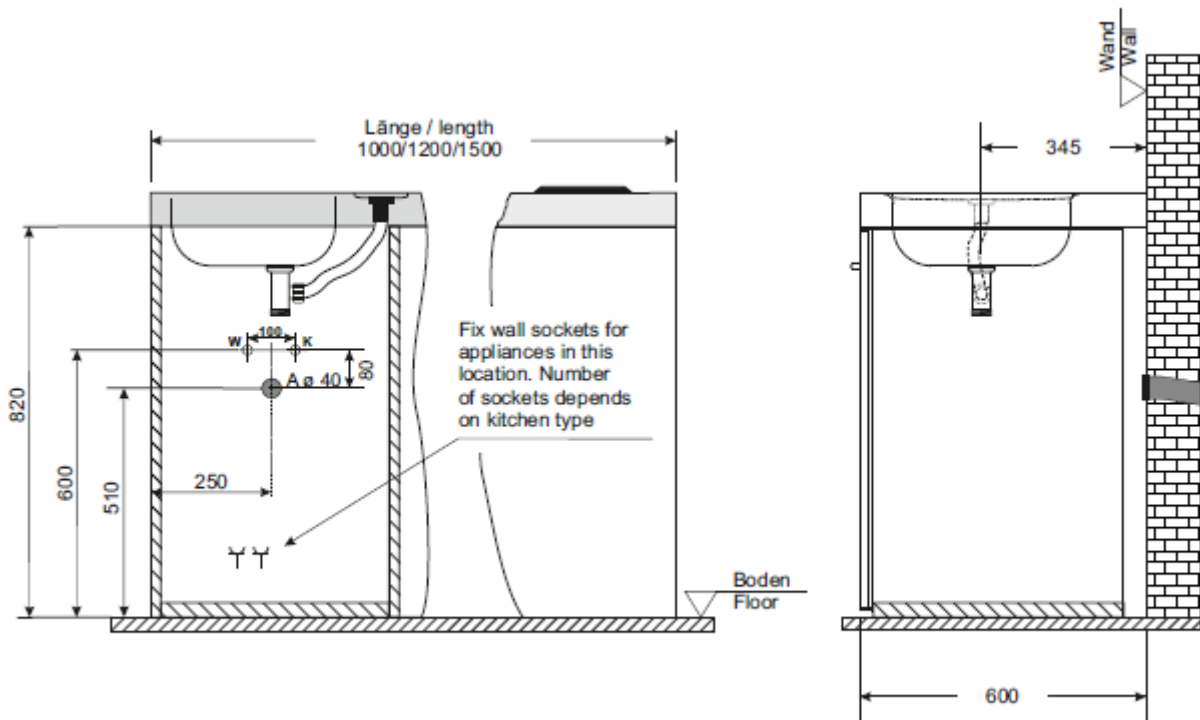
Product name:

.....

Electrical Connections	230 V 50 Hz, 10A
Hot plates	ø 145 mm; Power 1000 W ø 180 mm; 1200 W output Power: 1000-2200 W
Radiation heaters Ceramic hob	ø 140 mm; Power 1200 W ø 180 mm; output 1800 W Power: 1200-3000 W
Operation cook top	Switch with 7 positions of the switch
Dimensions kitchen sink	Height: 70 mm Depth: 600 mm Width: 900-1500 mm depending on model
Base cabinet	1 Sheet metal cabinet
Refrigerator	Net volume: 120 L ** power 110 W (compressor) Coolant: R600a Energy consumption 0.64 kWh in 24 h
Dimensions fridge	Height: 820 mm Depth: 575 mm Width: 495 mm

Appendix 1

Connections recommended for Standard Compact Kitchen

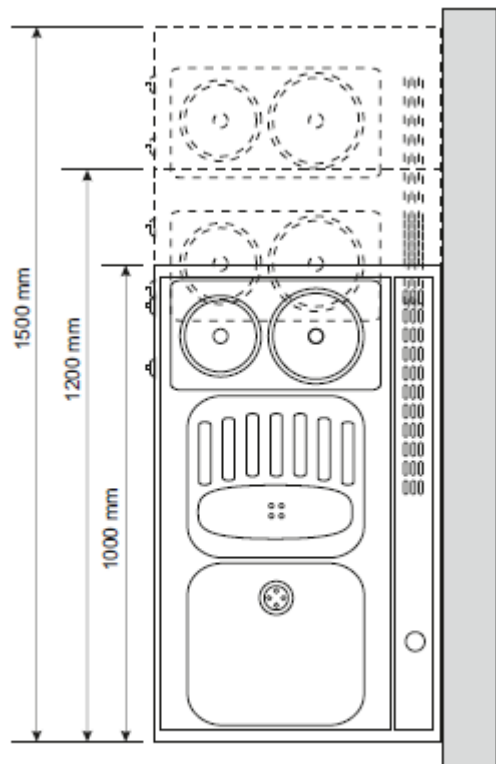


Important notice!!!
 Diagram shows the rear view of a right hand sink.
 Please check before installation which side sink you
 have and install services accordingly.

**We recommend the installation of your kitchen is carried
 out by a professional tradesperson.**

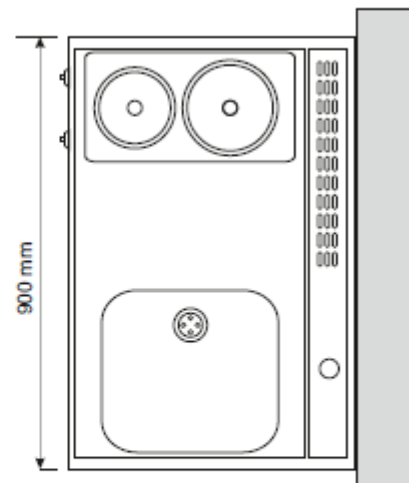
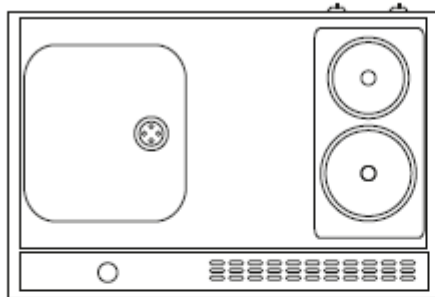
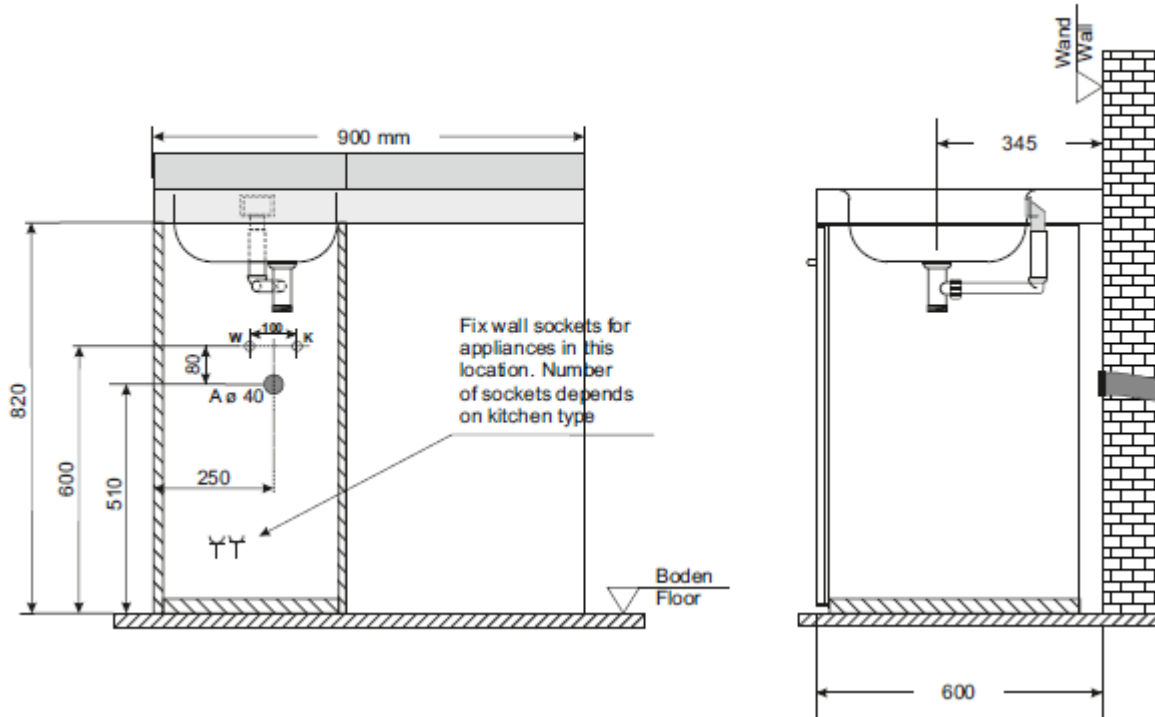
WICHTIGER HINWEIS!!!
 Abbildung Anordnung Herdteil rechts Becken links.
 Bitte vor Installation prüfen, welche Herdteilsseite
 bzw. Beckenseite vorhanden ist und entsprechend
 seitenrichtig die Anschlüsse anbringen.

Spätere Reklamationen sind ausgeschlossen.
 Wir empfehlen den Anschluss der Küchen durch einen
 Sanitär- oder Elektrofachmann ausführen zu lassen.



Appendix 2

Connections recommended for 900 Compact Kitchen



Important notice!!!

Diagram shows the rear view of a right hand sink. Please check before installation which side sink you have and install services accordingly.

We recommend the installation of your kitchen is carried out by a professional tradesperson..

WICHTIGER HINWEIS!!!

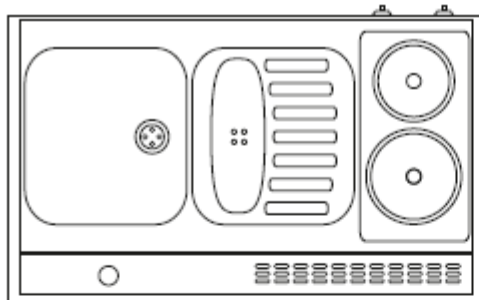
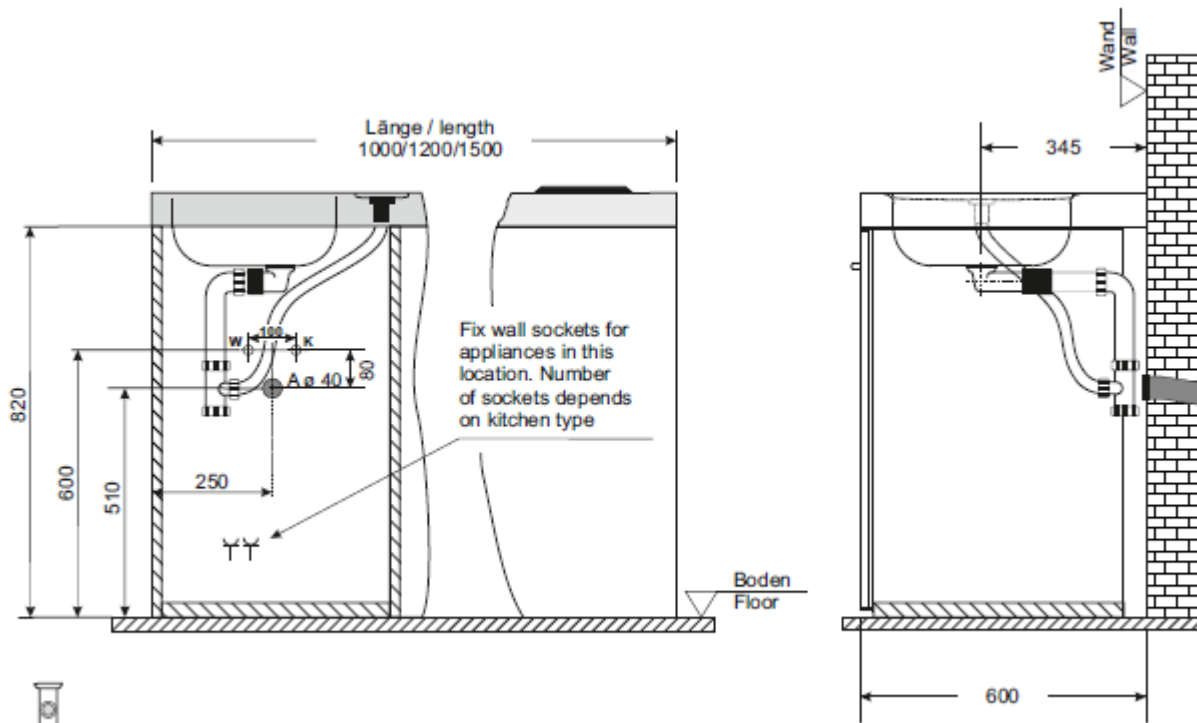
Abbildung Anordnung Herdteil rechts Becken links. Bitte vor Installation prüfen, welche Herdteilseite bzw. Beckenseite vorhanden ist und entsprechend seitenerkehrt die Anschlüsse anbringen.

Spätere Reklamationen sind ausgeschlossen.

Wir empfehlen den Anschluss der Küche durch einen Sanitär- oder Elektrofachmann ausführen zu lassen.

Appendix 3

Connections recommended for Compact Kitchen with microwave or dishwasher



Important notice!!!

Diagram shows the rear view of a right hand sink. Please check before installation which side sink you have and install services accordingly.

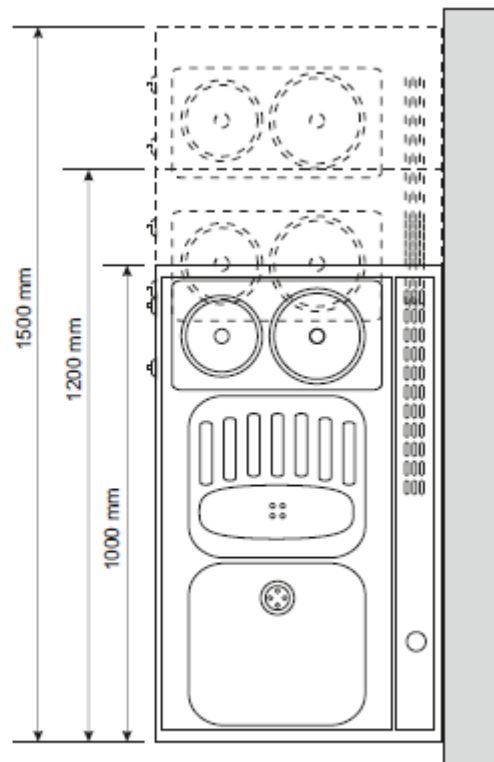
We recommend the installation of your kitchen is carried out by a professional tradesperson.



WICHTIGER HINWEIS!!!

Abbildung Anordnung Herdteil rechts Becken links. Bitte vor Installation prüfen, welche Herdteilsseite bzw. Beckenseite vorhanden ist und entsprechend seitenverkehrt die Anschlüsse anbringen.

Spültem Abblatmetalle sind ausgeschlossen. Wir empfehlen den Anschluss der Küchen durch einen Sanitär- oder Elektrofachmann ausführen zu lassen.



Your Elfin Kitchen Guarantee

We are pleased that you have purchased an Elfin Kitchen, due to strict control of production we are sure your kitchen will provide a long reliable service. Elfin Kitchens Ltd does however guarantee your kitchen against the following failures for a period of one year from date of purchase.

Corrosion in base unit
Fridge failure
Hotplate failure
Tap failure

If you purchased a unit housing either a combination microwave oven, microwave or convection oven these appliances are guaranteed by the manufacturer and the certificate must be completed and sent to the address on the documentation found within the appliance.

If you experience problems with the fridge within its first year of service this too is covered by the manufacturer and you will need to contact Elfin Kitchens Ltd on 01206 545700. In the event of the fridge not being able to be repaired and it is reported as a genuine failure Elfin Kitchens will provide a replacement fridge.

Accidental damage and general wear and tear is not covered by this guarantee and in the event of damage resulting from misuse most items on your kitchen can be replaced. Please contact Elfin Kitchens Ltd for a quotation on the cost of the damaged components.

Please retain your receipt for this purpose

We hope you enjoy your new Compact Kitchen Unit

 Notes:



Elfin House, 3 Pedders Close, Colchester' Essex CO3 4QX

Tel: 01206 545700

Fax: 01206 548800

enquiries@elfinkitchens.co.uk

www.elfinkitchens.co.uk